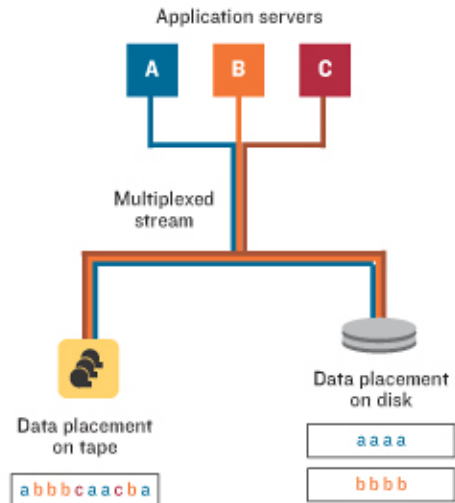


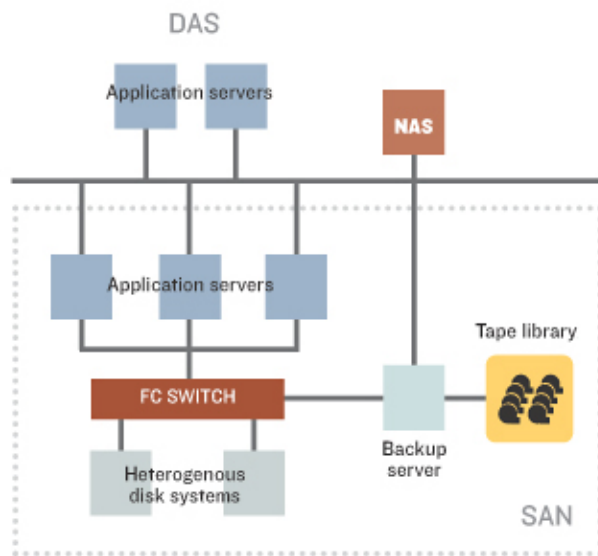
## Multiplexed data on tape and disk

Multiple streams of data being multiplexed for better optimization of the backup device. Recovery from tape is slower because of the way data is laid out on tape (or virtual tape).



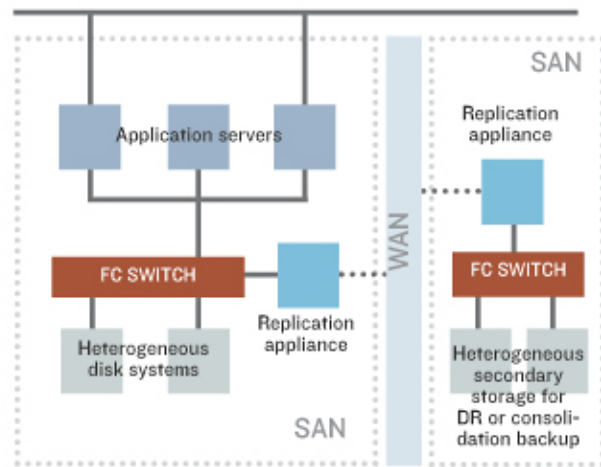
## Typical backup environment

A typical backup architecture using tape as the backup and restore device.



## Appliance-based replication over long distances

Several appliances help maintain the consistency of data between local and remote volumes. The remote side may or may not have servers, depending upon whether it is used as a disaster recovery site.



## A typical Revivio setup

The Revivio appliance delivers continuous protection to the volumes on primary storage. In case of corruption or other problems on the primary volume, the appliance can instantly present the volume of any past point-in-time on a continuous scale to the application.

